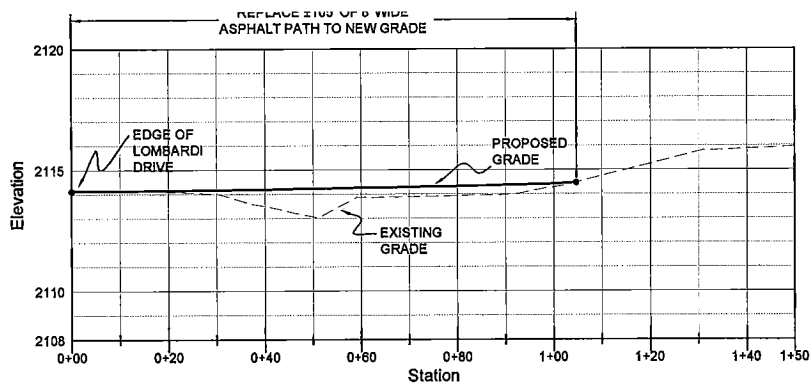
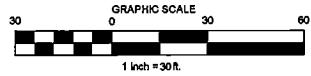
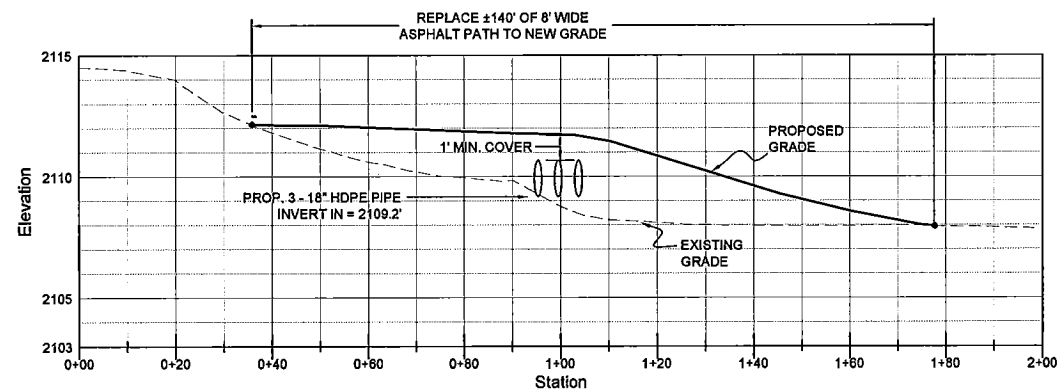


DRAINAGE & GRADING PLAN - RE-ALIGNED PATH & CROSSING #3
SCALE: 1" = 30'



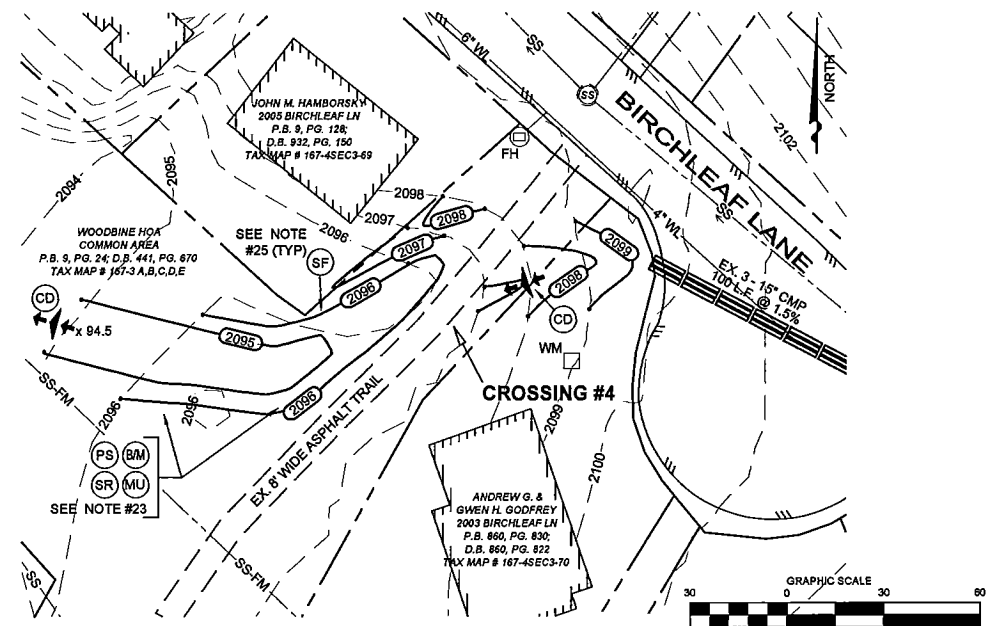
PROFILE VIEW: RE-ALIGNED PATH

SCALE
HORIZONTAL: 1" = 20'
VERTICAL: 1" = 4'

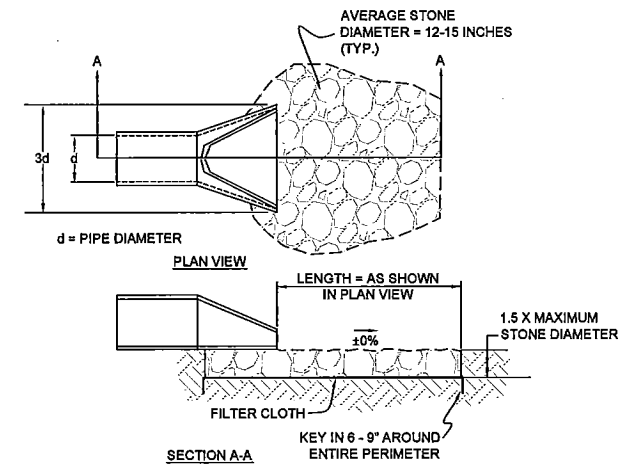


PROFILE VIEW: CENTERLINE PATH - CROSSING #3

SCALE
HORIZONTAL: 1" = 20'
VERTICAL: 1" = 4'



DRAINAGE & GRADING PLAN - CROSSING #4
SCALE: 1" = 30'



OUTLET PROTECTION DETAIL
NOT TO SCALE

APPROVED:

TOWN ENGINEER _____

TOWN PLANNER _____

TOWN OF
Blacksburg
a special place

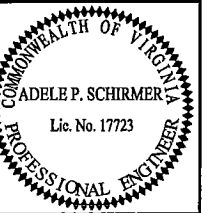
Phone (540) 961-1126
Fax (540) 961-0672

300 South Main Street
Blacksburg, Virginia 24060-9003

**WOODBINE BLUE-WAY
PATH IMPROVEMENTS**
GRADING & DRAINAGE

TOWN OF BLACKSBURG, MONTGOMERY COUNTY, VIRGINIA
MT. TABOR MAGISTERIAL DISTRICT

REVISIONS:
NOT FINAL
UNDER FINAL REVIEW



DESIGNED BY: LFH
DRAWN BY: LFH
CHECKED BY: APS
SCALE: AS SHOWN
DATE: SEPT. 2009

SHEET NUMBER:

2 OF 2

JOB NUMBER:

* SEE SHEET 1 OF 2 FOR NOTES REFERENCED ON THIS SHEET.